

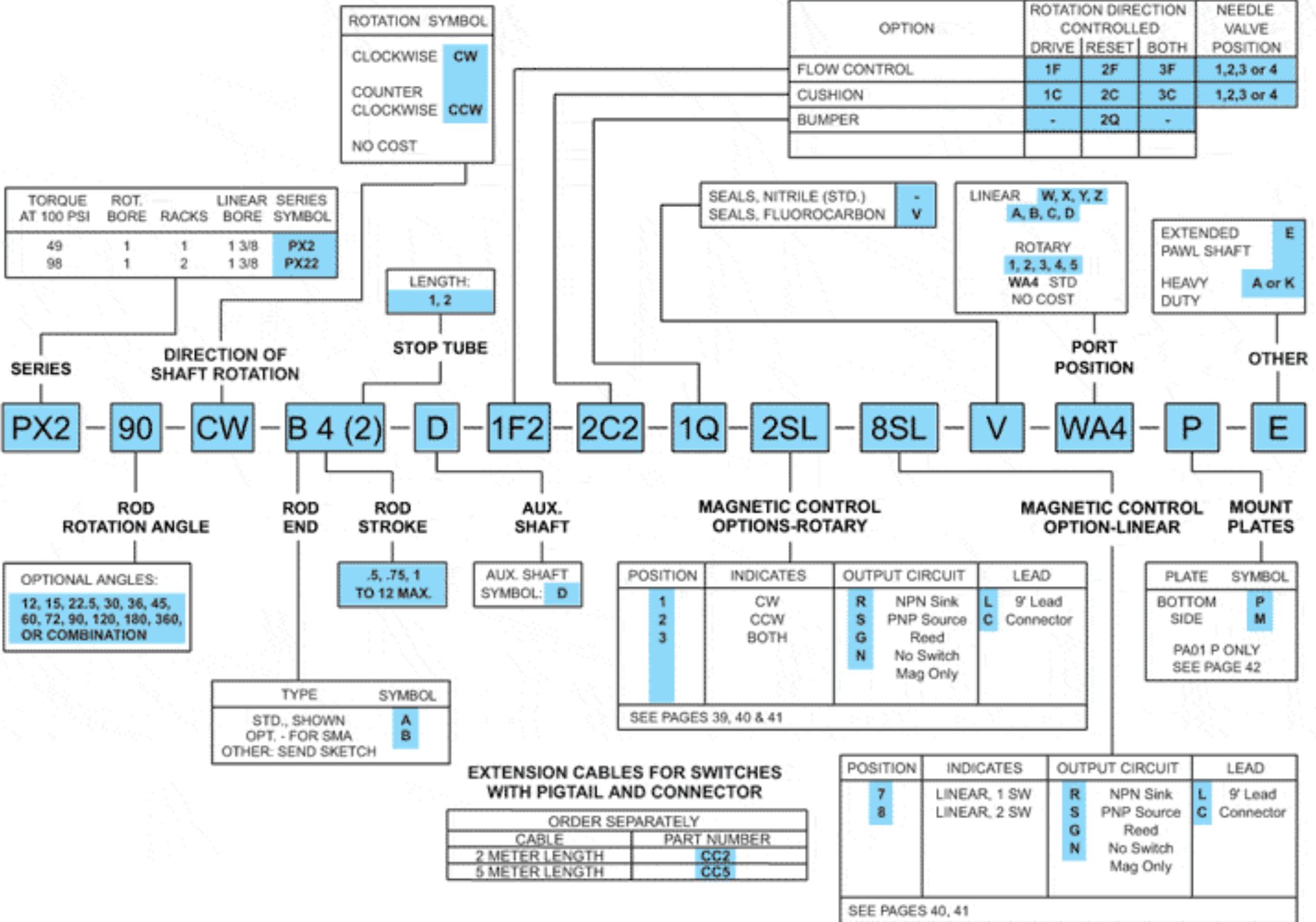
# DESIGN YOUR NITPICKER (INDEXING PICK & PLACE)

When an option is not required, leave blank.

Write out any special requirements in English or provide a dimensioned sketch. Rotomation can provide units to almost any configuration.

To expedite the order of a duplicate of a prior unit, refer to prior invoice/serial number stamped on the unit body.

NEEDLE VALVE CANNOT BE ON SAME SIDE AS PORT.



## SEAL REPAIR KITS PART NUMBERS FOR SEAL REPAIR KITS

FILL IN UNIT SERIES AND ALL RELATED OPTIONS:  
 SRK - [PX2] — [F] — [C] — [V]  
 SERIES FLOW CONTROL CUSHIONS SEALS

EXAMPLES:  
 SEAL KIT FOR PX2-90-CCW-A4-3C1-3RL-WA4 = SRK-PX2-C

NOTE: IF NO OPTIONS, SPECIFY SRK-PX2-STD.