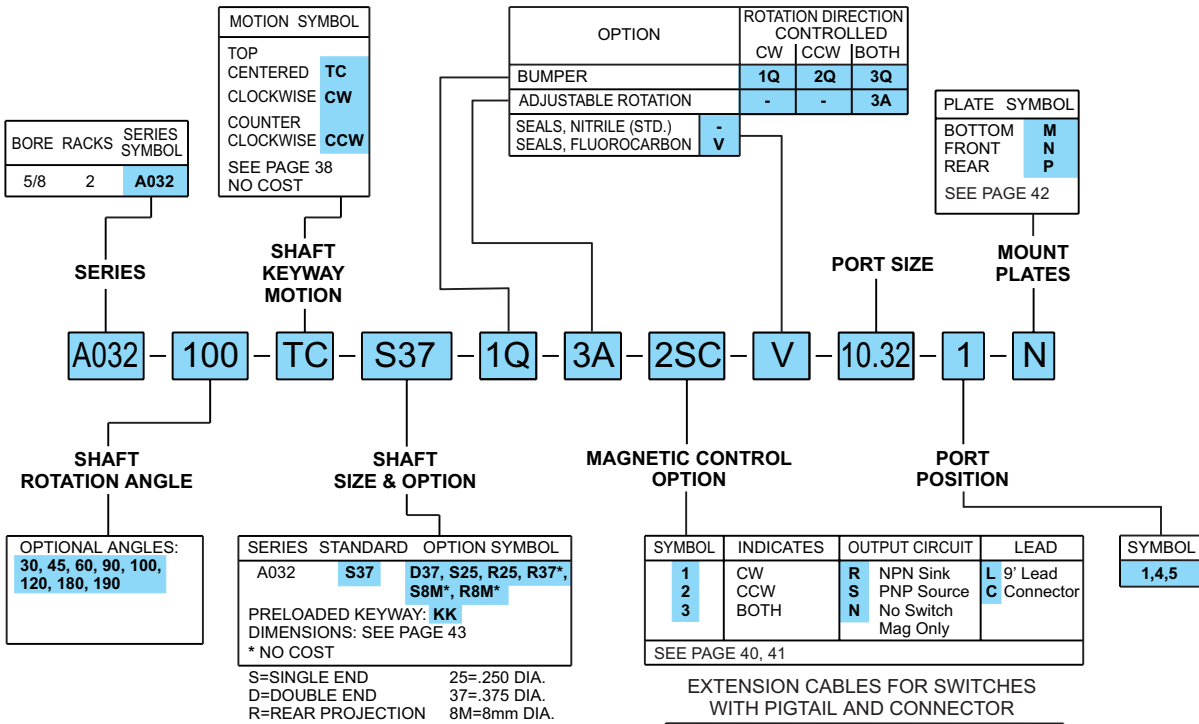


DESIGN YOUR A032 ROTARY ACTUATOR



SEAL REPAIR KITS

FILL IN UNIT SERIES AND ALL RELATED OPTIONS:

SRK - [A032] - [A] - [V]
 SERIES ROTATION SEALS
 ADJUSTERS

EXAMPLE:
 SEAL KIT FOR A032-100-TC-S37-1Q-3A-2SC-V-10.32-1-N = SRK-A032-A-V

NOTE: IF NO OPTIONS, SPECIFY SRK-A032-STD.

EXTENSION CABLES FOR SWITCHES WITH PIGTAIL AND CONNECTOR

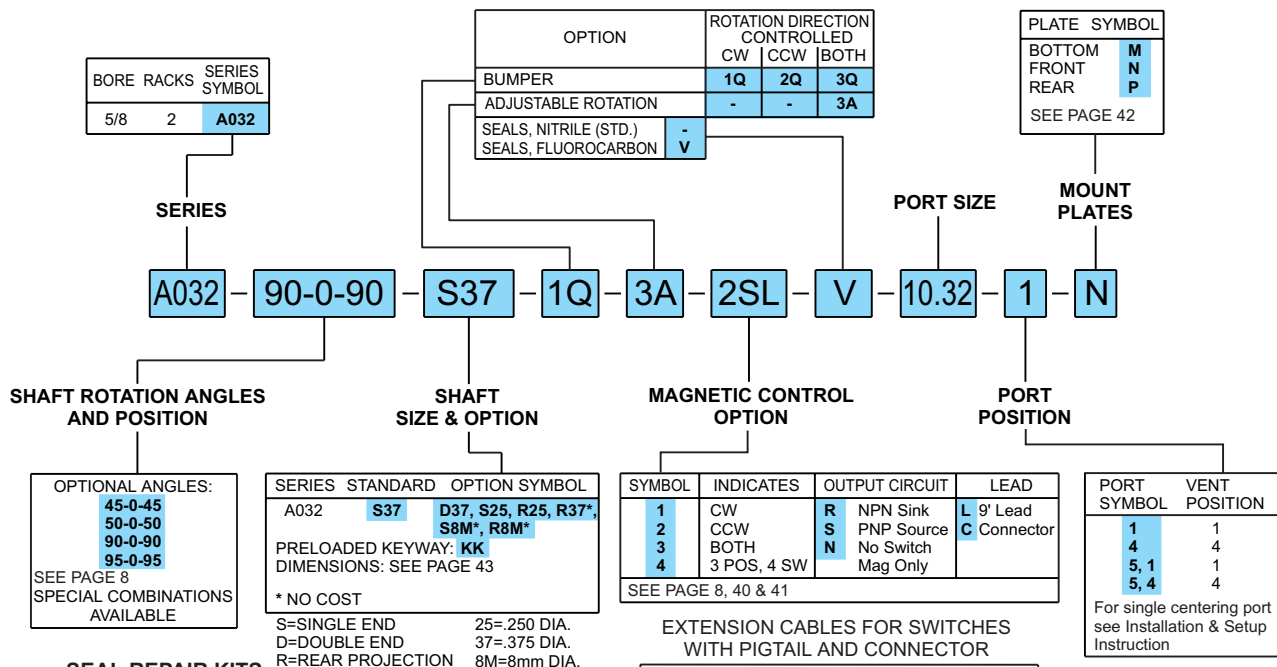
ORDER SEPARATELY	
CABLE	PART NUMBER
2 METER LENGTH	CC2
5 METER LENGTH	CC5

CALCULATED TORQUE IN INCH-POUNDS

Deduct 10% for friction

OPERATING PRESSURE IN PSI						
25	50	60	80	100	200	300 (HP)
2.9	5.8	6.9	9.2	11.5	-	-

DESIGN YOUR A032 THREE POSITION ROTARY ACTUATOR



SEAL REPAIR KITS

FILL IN UNIT SERIES AND ALL RELATED OPTIONS:

SRK - [A032] - [90-0-90] - [A] - [V]
 SERIES ANGLES/ ROTATION SEALS
 POSITION ADJUSTERS

EXAMPLE:
 SEAL KIT FOR A032-90-0-90-S37-1Q-3A-2SL-V-10.32-1-N = SRK-A032-90-0-90-A-V

NOTE: IF NO OPTIONS, SPECIFY SRK-A032-90-0-90-STD.

EXTENSION CABLES FOR SWITCHES WITH PIGTAIL AND CONNECTOR

ORDER SEPARATELY	
CABLE	PART NUMBER
2 METER LENGTH	CC2
5 METER LENGTH	CC5