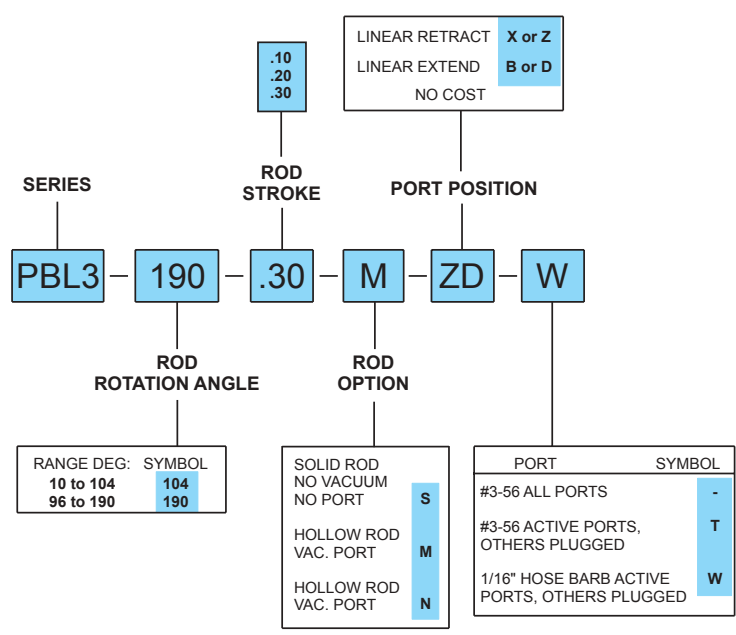


DESIGN YOUR PBL3 PICK & PLACE ACTUATOR

MINIATURE-VACUUM THRU ROD-BUILT IN VACUUM PORT

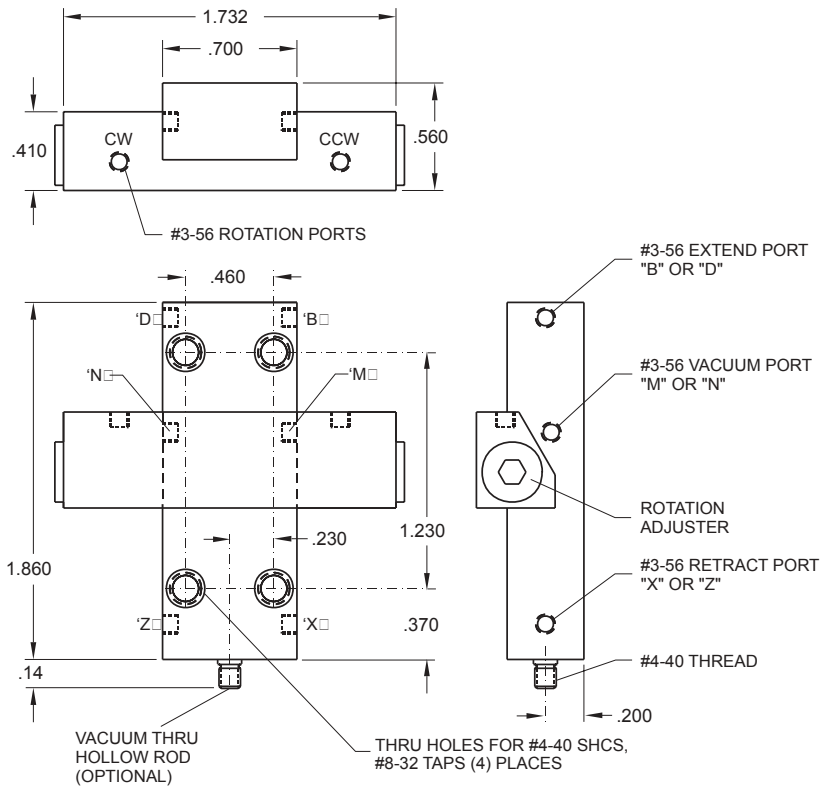


OPERATION

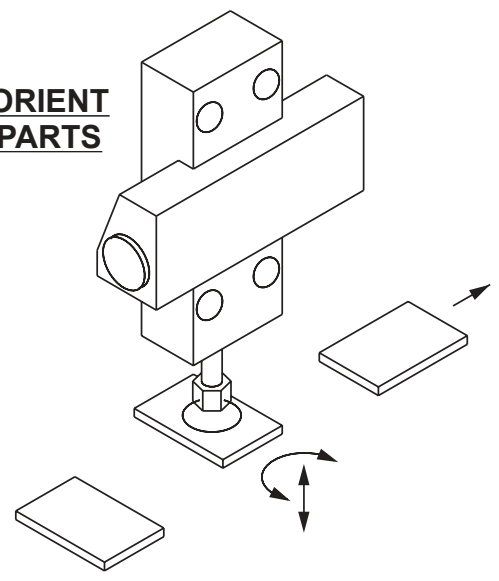
Pressure PSI	Torque In. Lb.	Push Lb.	Pull Lb.
20	.09	1.0	0.7
40	.18	1.9	1.4
60	.27	2.9	2.2
80	.36	3.9	2.9
100	.45	4.9	3.6

MAXIMUM RATINGS

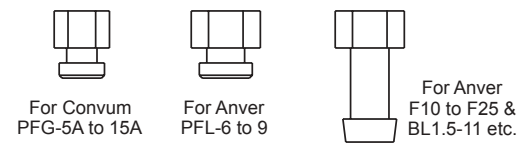
Rotary Section-Max. Pressure Air	100 PSI
Linear Section-Max. Pressure Air	100 PSI
Torque	.45 In. Lb.
Rotary Actuator Disp.	.008 Cu. In. /94 Deg.
Weight	1.6 Oz.



ORIENT PARTS



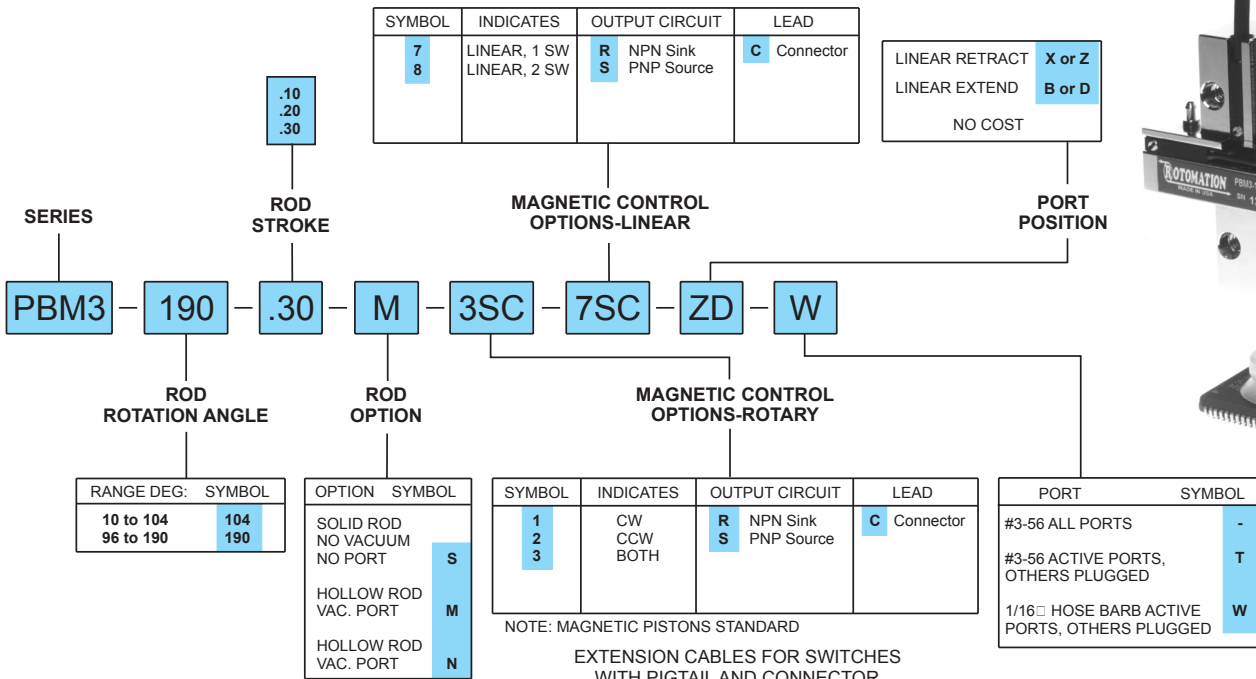
VACUUM CUP ADAPTERS



Purchase separately

DESIGN YOUR PBM3 PICK & PLACE ACTUATOR

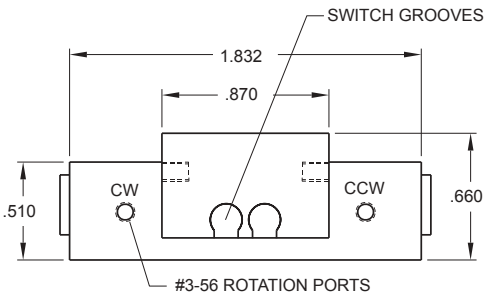
MINIATURE-VACUUM THRU ROD-BUILT IN VACUUM PORT-MAGNETIC SWITCHES



NOTE: MAGNETIC PISTONS STANDARD

EXTENSION CABLES FOR SWITCHES WITH PIGTAIL AND CONNECTOR

ORDER SEPARATELY	
CABLE	PART NUMBER
2 METER LENGTH	CC2
5 METER LENGTH	CC5

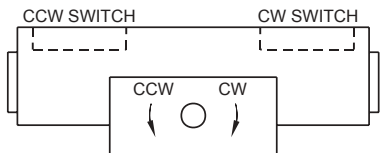
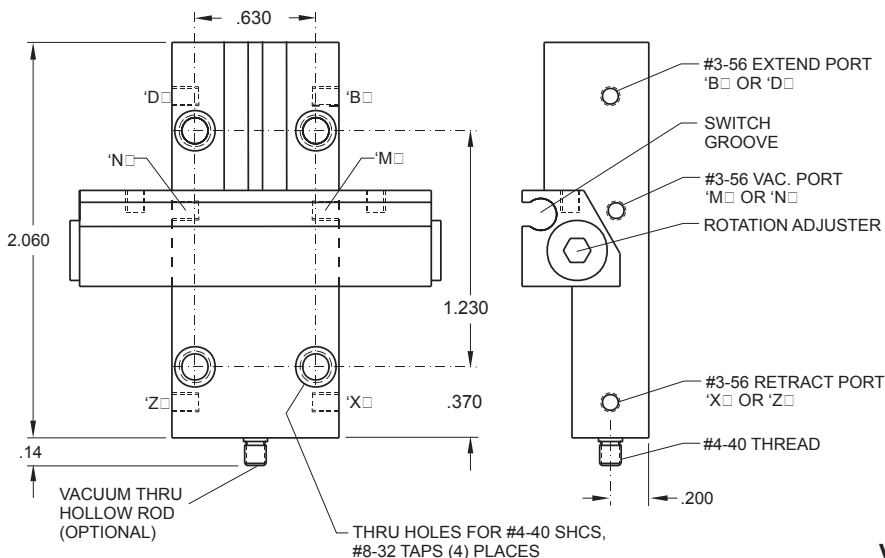


OPERATION

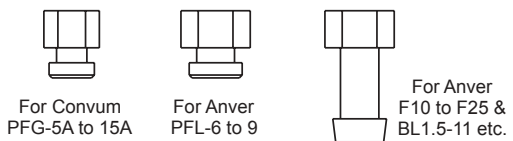
Pressure PSI	Torque In. Lb.	Push Lb.	Pull Lb.
20	.09	1.0	0.7
40	.18	1.9	1.4
60	.27	2.9	2.2
80	.36	3.9	2.9
100	.45	4.9	3.6

MAXIMUM RATINGS

Rotary Section-Max. Pressure Air	100 PSI
Linear Section-Max. Pressure Air	100 PSI
Torque	.45 In. Lb.
Rotary Actuator Disp.	.008 Cu. In. /94 Deg.
Weight	2.0 Oz.



VACUUM CUP ADAPTERS



Purchase separately

MAGNETIC SWITCHES

SWITCHES FOR TIE ROD UNITS

SWITCHES FOR A032, A752 & AL75

SWITCHES FOR PBM

	R	S	G	R	S	R	S
SWITCHING VOLTAGE	6-24 VDC	6-24 VDC	5-120 VAC/VDC	6-24 VDC	6-24 VDC	5-30 VDC	5-30 VDC
SWITCHING CURRENT	.5 A Max.	.5 A Max.	.5 A Max., .005 Min.	.20 A Max.	.20 A Max.	.20 A Max.	.20 A Max.
SWITCHING POWER	12 W Max	12 W Max	10 W Max.	4.8 W Max	4.8 W Max	6 W Max Resistive	6 W Max Resistive
VOLTAGE DROP	.5 V	.5 V	3.5 V	1.0 V Max.	1.0 V Max.	1.1 V Max.	1.1 V Max.
'R' NPN (Sinking)	L: 837-100-034 SWITCH C: 837-100-134 BRN GRN WHT 6-24 VDC POWER SUPPLY	L: 937-000-032 SWITCH C: 937-000-332 BRN BLK BLU 6-24 VDC POWER SUPPLY	L: 837-100-033 SWITCH C: 837-100-133 BRN GRN WHT 6-24 VDC POWER SUPPLY	L: 937-100-031 SWITCH C: 937-000-331 BRN BLK BLU 6-24 VDC POWER SUPPLY	L: 837-100-004 SWITCH C: 837-100-104 N/A on A1, X1, S1 & PA01 BRN WHT 5-120 V DC or AC POWER SUPPLY	L: 837-100-034 SWITCH C: 837-100-134 BRN GRN WHT 6-24 VDC POWER SUPPLY	L: 937-000-032 SWITCH C: 937-000-332 BRN BLK BLU 6-24 VDC POWER SUPPLY
'S' PNP (Sourcing)	L: 837-100-033 SWITCH C: 837-100-133 BRN GRN WHT 6-24 VDC POWER SUPPLY	L: 937-100-031 SWITCH C: 937-000-331 BRN BLK BLU 6-24 VDC POWER SUPPLY	L: 837-100-004 SWITCH C: 837-100-104 N/A on A1, X1, S1 & PA01 BRN WHT 5-120 V DC or AC POWER SUPPLY	L: 937-100-031 SWITCH C: 937-000-331 BRN BLK BLU 6-24 VDC POWER SUPPLY	L: 837-100-004 SWITCH C: 837-100-104 N/A on A1, X1, S1 & PA01 BRN WHT 5-120 V DC or AC POWER SUPPLY	L: 837-100-033 SWITCH C: 837-100-133 BRN GRN WHT 6-24 VDC POWER SUPPLY	L: 937-100-031 SWITCH C: 937-000-331 BRN BLK BLU 6-24 VDC POWER SUPPLY
'G' Reed	L: 837-100-004 SWITCH C: 837-100-104 N/A on A1, X1, S1 & PA01 BRN WHT 5-120 V DC or AC POWER SUPPLY	N/A	L: 837-100-004 SWITCH C: 837-100-104 N/A on A1, X1, S1 & PA01 BRN WHT 5-120 V DC or AC POWER SUPPLY	N/A	L: 837-100-004 SWITCH C: 837-100-104 N/A on A1, X1, S1 & PA01 BRN WHT 5-120 V DC or AC POWER SUPPLY	N/A	N/A

SWITCH LEADS:

Description Specify

9 ft. PVC cable, 3 conductor, color coded.

L

6 inch. pigtail with 8 mm quick disconnect.

C

EXTENSION CABLES - ORDER SEPARATELY

Cables have 8mm locking connector to connect to switches, above. 3 conductors color coded brown, black, blue.

Cable length	Part Number
2 m	CC2
5 m	CC5

REPLACEMENT SWITCHES

Order by number adjacent to switch block in diagrams above. Switches with leads identified by L, those with pigtail and connector by C. Switches are tested before shipment and are **NOT** returnable.

Extension cables have same color coding as A032, A752 and AL75 switches above, right.

LED indicates switch operation.

Standard lead length is 9'; connector is on 6" pigtail.

Observe polarity; reversal will damage switch.

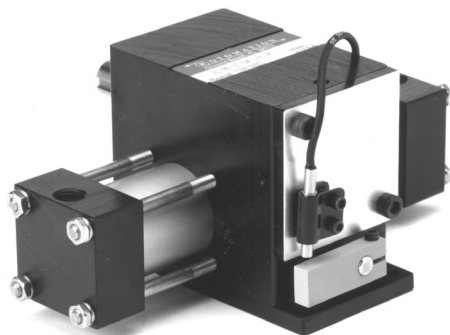
Observe maximum ratings; exceeding them will damage switch.

Reed switch has built-in surge protection; others do not.

Switches and cables resistant to moisture, dust and oil; designed to meet NEMA 4 specification.



OTHER SIGNAL OPTIONS

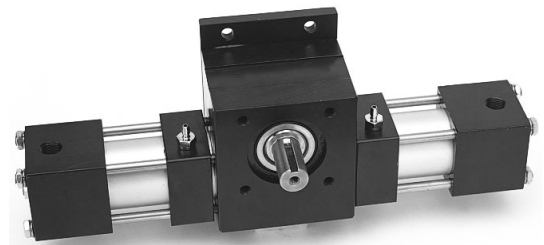


INDEXING ACTUATOR EXTENDED PAWL SHAFT

Shaft rotates 7 deg. at index and reset. Arm actuates switch, prox detector or pilot valve. Dimensions: see □Design Your Indexing Actuator□ page 24.

MAXIMUM LOAD TORQUE ON EXTENDED PAWL SHAFT

Unit	In. Oz.
X1 or X12	1
X2 or X22	2
X3 or X32	10
X4 or X42	17



SIGNAL PORT

For use in explosive or other atmospheres or with air logic controls. Ports provide line pressure signal at ends of rotation to actuate external devices. Fixed position, not adjustable.